



■ Features

- EIB / KNX power supply with integrated choke
- Compact size with 4SU width(72mm)
- Safety extra low voltage(SELV)
- Suitable for TP1-256
- 180~264VAC input
- Protections: Short circuit / Overload(short-circuit-proof)/ Over voltage
- Cooling by free air convection
- Isolation class I
- LED indicator for normal operation, bus reset and bus overload
- Monitoring of output voltage,output current,bus traffic load and device temperature
- Provide Wide variety of diagnostic and logic function
- Over Voltage category III
- 3 years warranty

■ Applications

- Intelligent home control
- Modern building automation
- Lighting control
- HVAC system
- Security system
- Blinds and shutters
- Monitoring systems
- Energy management
- Alarm monitoring

■ GTIN CODE

MW Search: <https://www.meanwell.com/serviceGTIN.aspx>

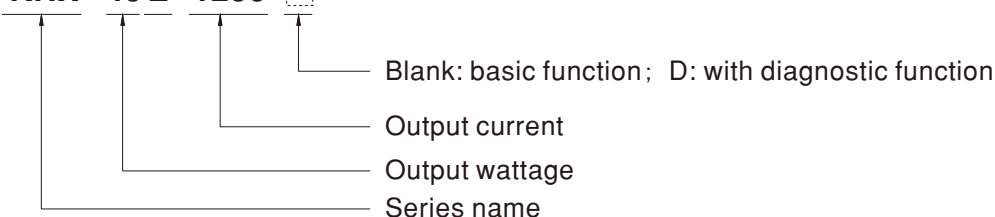
■ Description

MEAN WELL,the leading standard power supply manufacturer,continues to promote the buiding automation technology for making a green and sustainable society.After the launch of KNX-20E-640,the new KNX power supply KNX-40E-1280(D) is proudly introduced.

The KNX Power Supply KNX-40E-1280(D) is a 1280mA power supply with high efficiency and a small footprint of only 4SU(72mm).The device has a KNX bus choke output and additional output for auxiliary power.The -30~+70°C wide temperature operating range can meet all kinds of applications.For troubleshooting,monitoring purpose,output voltage,output current,bus traffic,device temperature and other actual measurement values can be sent via KNX.LED indicators are used in case of normal operation,overload conditions and RESET operation.It is perfectly suitable to power up any products labeled with the KNX trademark.

■ Model Encoding

KNX - 40 E - 1280



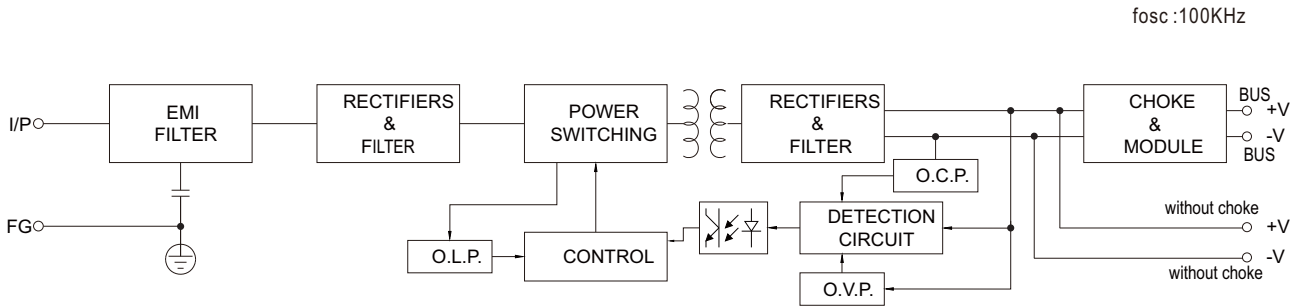
| Type | Function | Note |
|-------|--|----------|
| Blank | 1280mA KNX Power Supply | In Stock |
| D | 1280mA KNX Power Supply with Diagnostic function | In Stock |



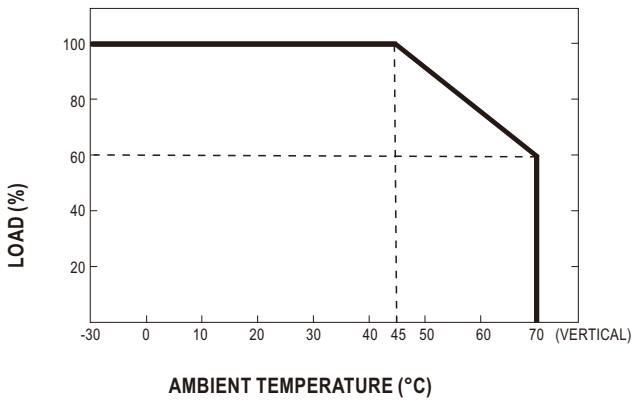
SPECIFICATION

| MODEL | | KNX-40E-1280 <input type="checkbox"/> |
|-----------------------|---|--|
| OUTPUT | BUS OUTPUT VOLTAGE WITH CHOKE | Bus,30V (KNX black/red terminal block) |
| | DC OUTPUT VOLTAGE WITHOUT CHOKE | 30V(Additional output for ancillary power) |
| | RATED CURRENT | 1280mA |
| | RATED POWER | 38.4W |
| | RIPPLE & NOISE (max.) Note.2 | 100mVp-p |
| | SHORT CIRCUIT CURRENT | 2.8A |
| | SETUP, RISE TIME | 1000ms, 50ms/230VAC at full load |
| | AC MAINS FAILURE BACK-UP TIME (Typ.) | 200ms/230VAC at full load |
| INPUT | VOLTAGE RANGE | 180 ~ 264VAC 176 ~ 280VDC |
| | FREQUENCY RANGE | 47 ~ 63Hz |
| | EFFICIENCY (Typ.) Note.3 | 86% |
| | AC CURRENT (Typ.) | 0.5A/230VAC |
| | INRUSH CURRENT (Typ.) | COLD START 60A(twidth=1200μs measured at 50% Ipeak)/230VAC |
| | LEAKAGE CURRENT | <1mA / 240VAC |
| PROTECTION | OVERLOAD | 205 ~ 235% rated output power Protection type : Constant current limiting, recovers automatically after fault condition is removed |
| | OVER VOLTAGE | 33 ~ 35V Protection type : Hiccup mode, recovers automatically after fault condition is removed |
| FUNCTION | RESET | Physical button for the bus reset: Blank type:Press the RESET button for at least 20 seconds to reset the KNX Bus D type:Press the RESET button once,it will reset the KNX Bus last for 20 seconds automatically |
| | LED INDICATORS | Please refer to the "Explanation of LED Status" |
| | CHOKE | One integrated choke |
| ENVIRONMENT | WORKING TEMP. | -30 ~ +70°C (Refer to "Derating Curve") |
| | WORKING HUMIDITY | 20 ~ 95% RH non-condensing |
| | STORAGE TEMP., HUMIDITY | -40 ~ +85°C, 10 ~ 95% RH non-condensing |
| | VIBRATION TYPE OF PROTECTION | 10 ~ 500Hz, 2G 10min./1cycle, 60min. each along X, Y, Z axes |
| | TYPE OF PROTECTION | IP20 design |
| | OVER VOLTAGE CATEGORY | III ,According to BS EN/EN61558, BS EN/EN50178,altitude up to 2000 meters |
| SAFETY & EMC (Note 4) | SAFETY STANDARDS | BS EN/EN61558-1,BS EN/EN61558-2-16 ; BS EN/EN50491-3 approved |
| | WITHSTAND VOLTAGE | I/P-O/P:4.2KVAC I/P-FG:2KVAC |
| | ISOLATION RESISTANCE | I/P-O/P, I/P-FG:100M Ohms / 500VDC / 25°C/ 70% RH |
| | EMC EMISSION | Compliance to BS EN/EN50491-5-2,-5-3;BS EN/EN61000-3-2,-3-3 |
| OTHERS | EMC IMMUNITY | Compliance to BS EN/EN50491-5-2,-5-3 ; BS EN/EN61000-4-2,3,4,5,6,8,11, heavy industry level |
| | MTBF | 1414.2K hrs min. Telcordia SR-332 (Bellcore) 217.1Khrs min. MIL-HDBK-217F (25°C) |
| | DIMENSION | 72*90*57mm (W*H*D) |
| | MOUNTING | 35mm mounting rail according to DIN BS EN/EN60715 |
| | PACKING | 0.328Kg ; 48pcs/16.4Kg/1.02CUFT |
| NOTE | 1. All parameters NOT specially mentioned are measured at 230VAC input, rated load and 25°C of ambient temperature. 2. Ripple & noise are measured at 20MHz of bandwidth by using a 12" twisted pair-wire terminated with a 0.1uf & 47uf parallel capacitor. Measure before Choke. 3. Efficiency before choke. 4. The power supply is considered a component which will be installed into a final equipment. The final equipment must be re-confirmed that it still meets EMC directives. For guidance on how to perform these EMC tests, please refer to "EMI testing of component power supplies." (as available on https://www.meanwell.com/Upload/PDF/EMI_statement_en.pdf) 5. The ambient temperature derating of 3.5°C/1000m with fanless models and of 5°C/1000m with fan models for operating altitude higher than 2000m(6500ft). ※ Product Liability Disclaimer : For detailed information, please refer to https://www.meanwell.com/serviceDisclaimer.aspx | |

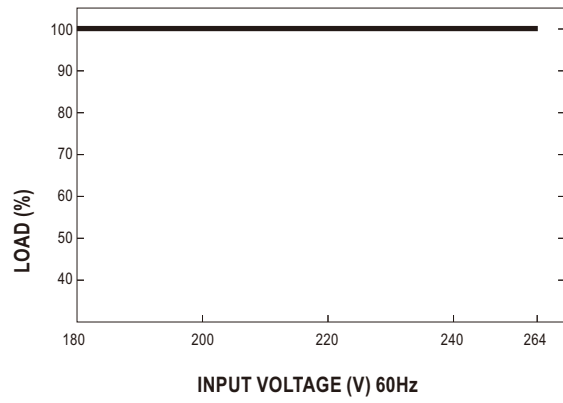
Block Diagram



Derating Curve

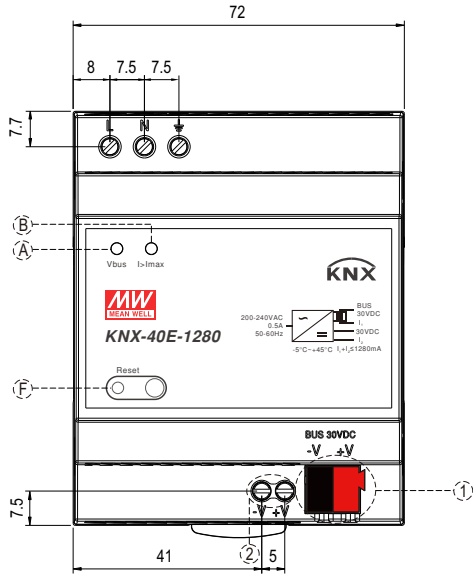


Static Characteristics

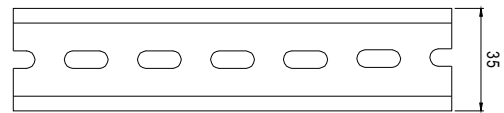
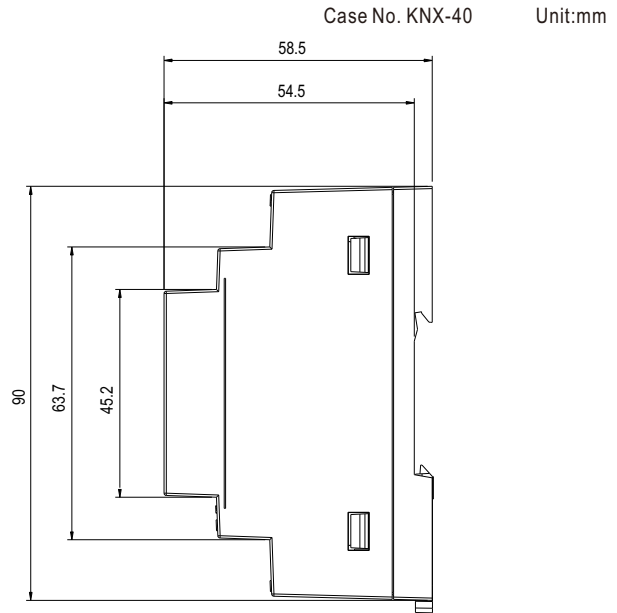


Mechanical Specification

※ Blank-Type

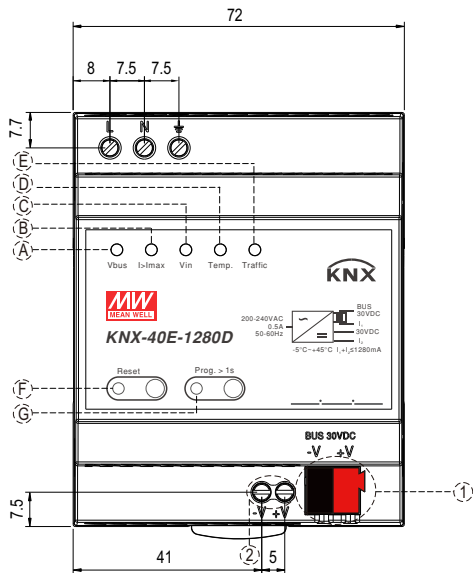


| | |
|---|---|
| 1 | KNX bus terminals (Red :+, DARK-GRAY:-) |
| 2 | Ancillary power terminals |

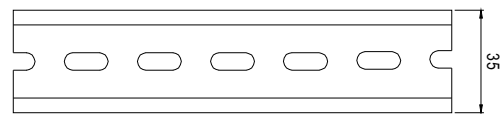
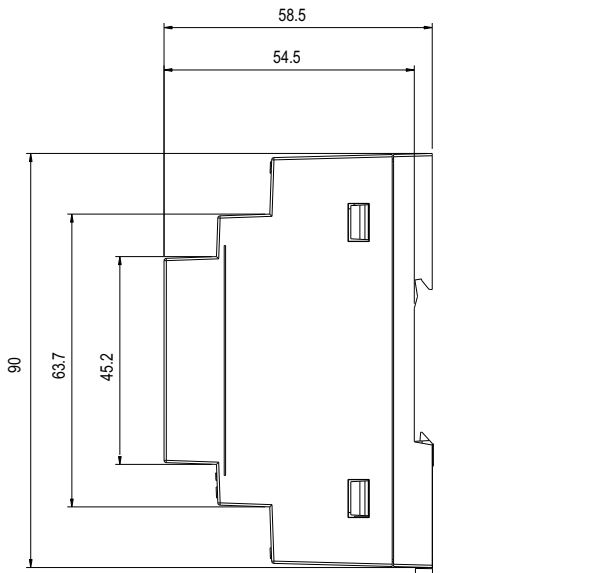


ADMISSIBLE DIN-RAIL: TS35/7.5 OR TS35/15

※ D-Type



| | |
|---|---|
| 1 | KNX bus terminals (Red :+, DARK-GRAY:-) |
| 2 | Ancillary power terminals |



ADMISSIBLE DIN-RAIL: TS35/7.5 OR TS35/15

■ **Explanation of LED Status**

| Number | LED light | Color, Indicate type | Explanation / Range |
|--------|--------------------------|----------------------|---|
| A | Bus voltage V_{BUS} | Green, constant | KNX Bus voltage is 28~31VDC |
| | | Red, constant | KNX Bus voltage lower than 28VDC |
| | | Orange, constant | KNX Bus voltage higher than 31VDC |
| B | Output current I_{OUT} | Green, constant | Output current < 1280mA |
| | | Orange, constant | Output current is 1280mA~1600mA |
| | | Red, constant | Output current >1600 mA (Overload) |
| C | Power Input V_{IN} | Green, constant | Powered by AC input |
| | | Green, flash | Powered by DC input |
| | | Red, constant | AC/DC input fail |
| D | Internal Temperature | Green, constant | Internal Temperature is 0~75 °C |
| | | Red, constant | Internal Temperature is out of this range |
| E | Telegram traffic | Green, flash | Telegram load < 80 % |
| | | Red, constant | Telegram load >= 80 % |
| F | KNX Reset | Red, constant | Device is during a KNX bus restart |
| G | Programming | Red, constant | Device in Program mode |

Note: Application data base needs to be downloaded into KNX-40E-1280D for the LED indicator to work properly.

■ **Configuration and Commissioning**

The application program (database) can be downloaded via Online Catalogs from ETS or via <http://www.meanwell.com/productCatalog.aspx>

■ Communication Object Table (Only for KNX-40E-1280D)

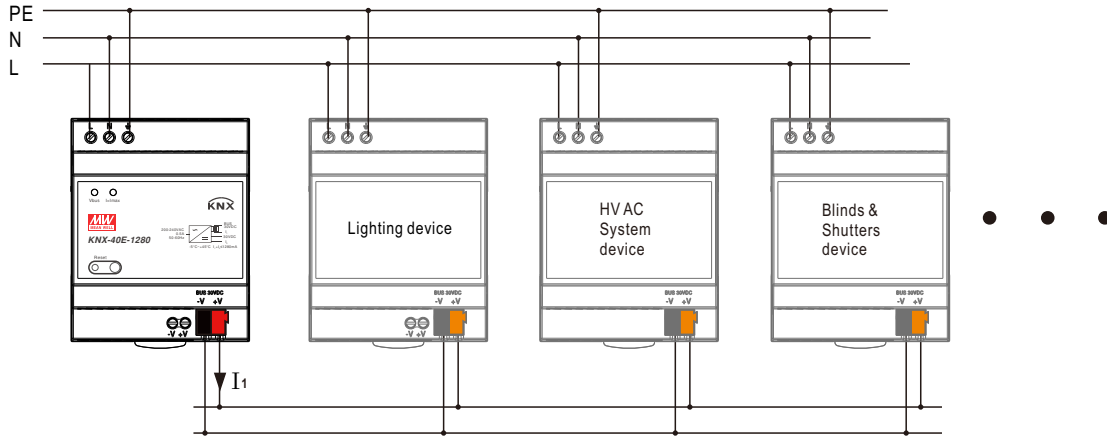
| Num | Object name | Object function | Length | DPT | Priority | Flag |
|-----|---|---------------------------------------|--------|-------------------------------|----------|------|
| 1 | Heartbeat | Send info | 1bit | 1.017,trigger | Low | CRT |
| 2 | Power supply on | Send info | 1bit | 1.017, trigger | Low | CRT |
| 3 | Send measurements | Request all measurements value | 1bit | 1.001,switch | Low | CW |
| 4 | Clear all data | Reset all calculation data | 1bit | 1.001,switch | Low | CW |
| 5 | Send calculations | Request all calculations value | 1bit | 1.001,switch | Low | CW |
| 6 | Bus reset | Request bus reset | 1bit | 1.001,switch | Low | CWU |
| 7 | Total working time | Send current total working time value | 4byte | 13.100,time lag,(s) | Low | CRT |
| 8 | Time from last startup | Send operating time from last startup | 4byte | 13.100,time lag,(s) | Low | CRT |
| 9 | The number of bus restart times | Send bus reset times value | 2byte | 7.001,pulses | Low | CRT |
| 10 | The number of device startup times | Send device startup times value | 2byte | 7.001,pulses | Low | CRT |
| 11 | Output voltage measured | Send voltage value measured | 2byte | 9.20,voltage,(mV) | Low | CRT |
| | | | 4byte | 14.027,electric potential,(V) | Low | CRT |
| 12 | Output voltage alarm | Send threshold status | 1bit | 1.005,alarm | Low | CRT |
| 13 | Output current measured | Send current value measured | 2byte | 7.012,current,(mA) | Low | CRT |
| | | | 2byte | 9.021,current,(mA) | Low | CRT |
| | | | 4byte | 14.019,electric current,(A) | Low | CRT |
| 14 | Output current alarm | Send threshold status | 1bit | 1.005,alarm | Low | CRT |
| 15 | Device temperature measured | Send temperature value measured | 2byte | 9.001,temperature,(°C) | Low | CRT |
| 16 | Device temperature alarm | Send threshold status | 1bit | 1.005,alarm | Low | CRT |
| 17 | Maximum output current during tracking period | Send maximum value captured | 2byte | 7.012,current,(mA) | Low | CRT |
| | | | 2byte | 9.021,current,(mA) | Low | CRT |
| | | | 4byte | 14.019,electric current,(A) | Low | CRT |
| 18 | Maximum device temperature during tracking period | Send maximum value captured | 2byte | 9.001,temperature,(°C) | Low | CRT |
| 19 | Busload measured | Send busload value calculated | 1byte | 5.004,percentage,(0~255%) | Low | CRT |
| 20 | Busload alarm | Send threshold status | 1bit | 1.005,alarm | Low | CRT |
| 21 | The number of overload times | Send times count value | 2byte | 7.001,pulses | Low | CRT |
| 22 | Overload duration | Send duration time value | 4byte | 13.100,time lag,(s) | Low | CRT |
| 23 | The number of short circuits times | Send times count value | 2byte | 7.001,pulses | Low | CRT |
| 24 | Time load detached | Send duration time value | 4byte | 13.100,time lag,(s) | Low | CRT |
| 25 | Alarm 1 | Send threshold status | 1bit | 1.005,alarm | Low | CRT |
| 26 | Count 1 | Send times count value | 2byte | 7.001,pulses | Low | CRT |
| 27 | Duration 1 | Send duration time value | 4byte | 13.100,time lag,(s) | Low | CRT |
| 28 | Alarm 2 | Send threshold status | 1bit | 1.005,alarm | Low | CRT |
| 29 | Count 2 | Send times count value | 2byte | 7.001,pulses | Low | CRT |
| 30 | Duration 2 | Send duration time value | 4byte | 13.100,time lag,(s) | Low | CRT |
| 31 | Alarm 3 | Send threshold status | 1bit | 1.005,alarm | Low | CRT |
| 32 | Count 3 | Send times count value | 2byte | 7.001,pulses | Low | CRT |
| 33 | Duration 3 | Send duration time value | 4byte | 13.100,time lag,(s) | Low | CRT |
| 34 | Alarm 4 | Send threshold status | 1bit | 1.005,alarm | Low | CRT |
| 35 | Count 4 | Send times count value | 2byte | 7.001,pulses | Low | CRT |
| 36 | Duration 4 | Send duration time value | 4byte | 13.100,time lag,(s) | Low | CRT |

The priority of the particular communication objects as well as the flags can be adjusted. The flag control the function of the objects in the programming where C stands for communication, R for Read, W for write, T for transmit and U for update.

■ Typical application

◎ Application 1: Powering KNX Bus Only

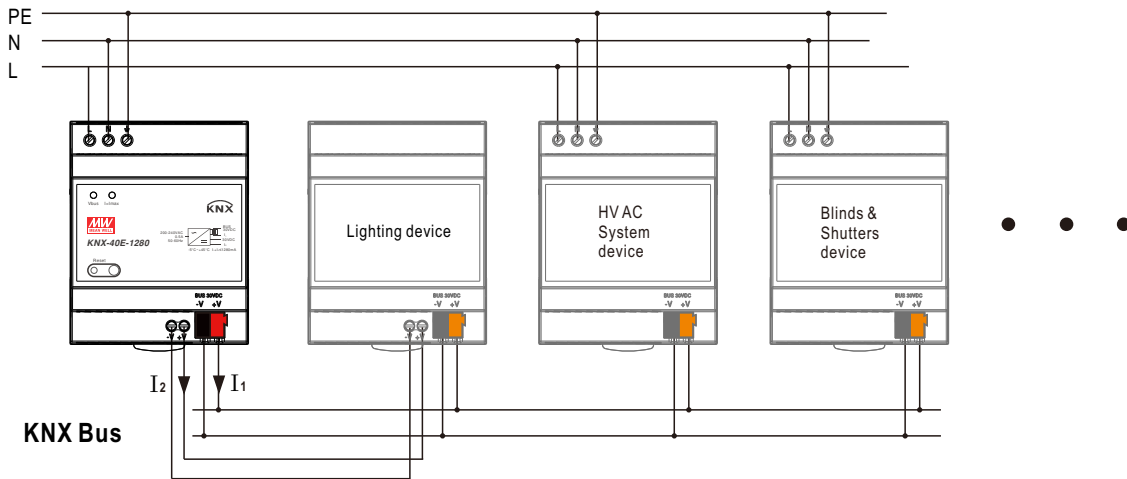
KNX Bus



Bus wiring consideration:

1. the maximum number of bus devices connected is 256 for TP1-256 topology.
2. the maximum length of a line segment is 350 m, measured along the line between the power supply and the furthest device bus.
3. the maximum distance between two bus devices cannot exceed 700 m.
4. the maximum length of a bus line is 1000 m, keeping into account all segments.

◎ Application 2: Powering KNX Bus and KNX device



Note:

1. Use only ancillary output of KNX-40E-1280 to power the KNX device
2. The total current $I_1 + I_2$ should be equal or less than 1280mA. $I_1 + I_2 \leq 1280\text{mA}$
3. The above Bus wiring consideration is still applicable

■ Recommended Screwdriver, Wire and Torque Setting

1. Screwdriver (Width*Thick): Slotted screwdriver 2.5*0.4~3.5*0.6
2. Wire: 0.5~4.0mm² solid core or 0.5~2.5mm² finely stranded
3. Torque: 0.8Nm

■ Installation Manual

Please refer to : <http://www.meanwell.com/manual.html>