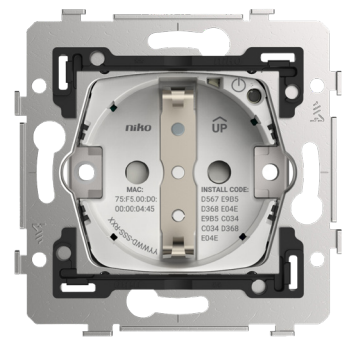


# Connected switching socket outlet for Niko Home Control with side earthing and shutters, Zigbee®, 16 A, plug-in terminals

170-34605

4 year warranty

With this connected switching socket outlet with built-in consumption measurement, you choose extra comfort, peace of mind and energy awareness. The socket outlet can be perfectly installed in all new construction projects and can also easily replace an existing socket outlet in renovation projects (provided that appropriate wall mounting boxes are present) without adapting the wiring or circuit breakers. You connect the socket outlet without additional wiring with a wireless switch and the wireless smart hub (552-00001) for Niko Home Control. That way you have full control over your socket outlets and you can easily create useful new functionalities, including all-off or all-on and panic functions, routines, calendar and scheduling functions, remote control via the app, insight in your energy consumption, consumption warnings on your smartphone, starting automatic actions when a consumption energy level is exceeded .. This device can also be used in a bus wiring installation in combination with the wireless bridge for Niko Home Control (550-00640).



- One-on-one exchangeable with the classic socket without rewiring
- True 16 A, keeps existing circuit breaker
- Switching and measuring in Niko Home Control eco system
- Up to 3 consumption levels can be set to trigger other Niko Home Control actions or notifications
- Local control button with feedback LED
- Compatible with all Niko mechanisms and finishings
- Screwless and rimless central cover plate for faster installation
- Rimless central cover plate for the ultimate look

## Technical data

Connected switching socket outlet for Niko Home Control with side earthing and shutters, Zigbee®, 16 A, plug-in terminals.

Connected switching socket outlet for Niko Home Control with side earthing and shutters, Zigbee®, 16 A, plug-in terminals.

- Compatible with the wireless bridge (550-00640)
- Input voltage: 230 Vac  $\pm$  10%, 50 Hz
- Wire capacity: 2 x 2,5 mm<sup>2</sup>
- Standby consumption: 0.15 W
- Maximum load: 16 A / 3680 W
- Internal overcurrent protection: switches off at > 16 A
- Internal overheating protection
- Not suitable for heavy loads that have long and cycling operations above 2300 W such as electric vehicle charging (in mode 1 or 2), electrical heating devices or heavy inductive loads (eg. motors). When controlling these loads the temperature protection mechanism may be activated
- Communication protocol: Zigbee® 3.0, 2.4 GHz
- Button on the device to switch the phase (L) on and off locally
- LED indicator for status and error information
- Measuring precision (valid for a normal voltage - 230 Vac). This device should not be used for billing purposes. The data recorded by this device should be used for information purposes only:

**niko**

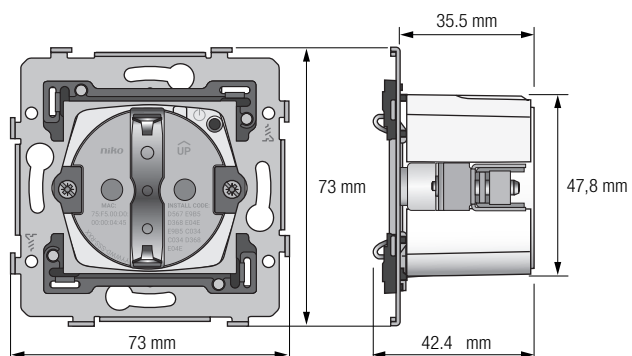
- $\pm 0,5$  W (in range 1 - 5 W)
- $\pm 5$  % (in range 5 - 3680 W)
- System compatibility: Zigbee® 3.0, Niko Home Control II
- Modification of settings: Niko Home app or Niko Home Control programming software
- Maximum number per Niko Home Control installation: 25
- Circuit breaker (to be installed in accordance with the applicable regulations):
  - 2,5 mm<sup>2</sup> wiring: maximum MCB rating C20
  - 1,5 mm<sup>2</sup> wiring: maximum MCB rating C16
- Fire safety
  - All plastic components are self-extinguishing (comply with a filament test of 650°C) and are halogen-free.
- Communication protocol: Zigbee® 3.0
- System compatibility: talks with Homey
- Protection degree: The combination of a mechanism, a central plate and a faceplate has a protection degree of IP20-D
- Impact resistance: The combination of a mechanism, a central plate and a faceplate has an impact resistance of IK02
- Material base
  - ureumformaldehyde (UF) with high heat resistance
  - white RAL9010 (approximately)
- Material earthing: side earthing in high quality brass
- Flush-mounting frame
  - 1 mm-thick metal
  - galvanized on all sides after cutting, even on the cut edges
  - with 4 grooves with screw hole of 7 mm
  - with 4 screw holes (indicated by a screw symbol) with a diameter of 3 mm for mounting on panels
- Flush mounting depth: 35.5 mm
- Required type of flush-mounting box
  - depth: min. 45 mm (cabling space included)
  - claw/screw fixing: 60 mm
  - inner diameter box: 60 mm
  - multiple boxes centre distance horizontal: 71 mm
  - multiple boxes centre distance vertical: 71 mm
  - multiple boxes centre distance vertical: 60 mm for Belgium and France
- Fixing method
  - with screws for simple fixing in a flush-mounting box with grip surfaces
- Centre-to-centre distance
  - horizontal coupling and vertical coupling with centre-to-centre distance 71 mm
  - horizontal connection of several bases is quick and perfect thanks to the folded-up dovetails on the left and right side
  - extra robustness due to the folded-up edges on the outside of the base and the continuation to the inside of the base
- End border: 4 rectangular openings (7 x 2.5 mm) which, if the flush-mounting box protrudes from the plasterwork, can compensate for a margin of between 1 and 1.2 mm, so that the faceplate can still butt up perfectly against the wall
- Wire connection
  - contact buses fitted with plug-in terminals for clamping the wires
- Wire capacity
  - all connection terminals at the top side of the base
  - up to 2 x 2.5 mm<sup>2</sup> wire per terminal
- Stripping length
  - 8.5 – 9.5 mm stripping length
- Ambient temperature: 0 – +40 °C
- Dimensions (HxWxD): 73 x 73 x 42.4 mm
- Weight: 98 g
- Certification marks: KEMA, Zigbee Certified Product, VDE, ÖVE
- Marking: CE
- Input voltage: 230 Vac  $\pm$  10%, 50 Hz
- Wire capacity: 2 x 2,5 mm<sup>2</sup>

- Standby consumption: 0.15 W
- Maximum load: 16 A / 3680 W
- Internal overcurrent protection: switches off at > 16 A
- Internal overheating protection
- Not suitable for heavy loads that have long and cycling operations above 2300 W such as electric vehicle charging (in mode 1 or 2), electrical heating devices or heavy inductive loads (eg. motors). When controlling these loads the temperature protection mechanism may be activated
- Communication protocol: Zigbee® 3.0, 2.4 GHz
- Button on the device to switch the phase (L) on and off locally
- LED indicator for status and error information
- Measuring precision (valid for a normal voltage - 230 Vac). This device should not be used for billing purposes. The data recorded by this device should be used for information purposes only:
  - ± 0,5 W (in range 1 - 5 W)
  - ± 5 % (in range 5 - 3680 W)
- System compatibility: Zigbee® 3.0, Niko Home Control II
- Modification of settings: Niko Home app or Niko Home Control programming software
- Maximum number per Niko Home Control installation: 25
- Circuit breaker (to be installed in accordance with the applicable regulations):
  - 2,5 mm<sup>2</sup> wiring: maximum MCB rating C20
  - 1,5 mm<sup>2</sup> wiring: maximum MCB rating C16
- Fire safety
  - All plastic components are self-extinguishing (comply with a filament test of 650°C) and are halogen-free.
- Communication protocol: Zigbee® 3.0
- System compatibility: talks with Homey
- Protection degree: The combination of a mechanism, a central plate and a faceplate has a protection degree of IP20-D
- Impact resistance: The combination of a mechanism, a central plate and a faceplate has an impact resistance of IK02
- Material base
  - ureumformaldehyde (UF) with high heat resistance
  - white RAL9010 (approximately)
- Material earthing: side earthing in high quality brass
- Flush-mounting frame
  - 1 mm-thick metal
  - galvanized on all sides after cutting, even on the cut edges
  - with 4 grooves with screw hole of 7 mm
  - with 4 screw holes (indicated by a screw symbol) with a diameter of 3 mm for mounting on panels
- Flush mounting depth: 35.5 mm
- Required type of flush-mounting box
  - depth: min. 45 mm (cabling space included)
  - claw/screw fixing: 60 mm
  - inner diameter box: 60 mm
  - multiple boxes centre distance horizontal: 71 mm
  - multiple boxes centre distance vertical: 71 mm
  - multiple boxes centre distance vertical: 60 mm for Belgium and France
- Fixing method
  - with screws for simple fixing in a flush-mounting box with grip surfaces
- Centre-to-centre distance
  - horizontal coupling and vertical coupling with centre-to-centre distance 71 mm
  - horizontal connection of several bases is quick and perfect thanks to the folded-up dovetails on the left and right side
  - extra robustness due to the folded-up edges on the outside of the base and the continuation to the inside of the base
- End border: 4 rectangular openings (7 × 2.5 mm) which, if the flush-mounting box protrudes from the plasterwork, can compensate for a margin of between 1 and 1.2 mm, so that the faceplate can still butt up perfectly against the wall
- Wire connection
  - contact buses fitted with plug-in terminals for clamping the wires
- Wire capacity

- all connection terminals at the top side of the base
- up to 2 x 2.5 mm<sup>2</sup> wire per terminal
- Stripping length
  - 8.5 – 9.5 mm stripping length
- Ambient temperature: 0 – +40 °C
- Dimensions (HxWxD): 73 x 73 x 42.4 mm
- Weight: 98 g
- Certification marks: KEMA, Zigbee Certified Product, VDE, ÖVE
- Marking: CE



### Dimensions



### Wiring diagram

